

# LP3981

## Micropower, 300mA Ultra Low-Dropout CMOS Voltage Regulator

### General Description

The LP3981's performance is optimized for battery powered systems to deliver ultra low noise, extremely low dropout voltage and low quiescent current. Regulator ground current increases only slightly in dropout, further prolonging the battery life.

Power supply rejection is better than 60 dB at low frequencies. This high power supply rejection is maintained down to lower input voltage levels common to battery operated circuits.

The device is ideal for mobile phone and similar battery powered wireless applications. It provides up to 300 mA, from a 2.5V to 6V input, consuming less than 1 $\mu$ A in disable mode.

The LP3981 is available in MSOP-8 package. For LP3981 in LLP-6 package, contact NSC sales offices. Performance is specified for  $-40^{\circ}\text{C}$  to  $+125^{\circ}\text{C}$  temperature range. The device available in the following output voltages; 2.5V, 2.7V, 2.8V, 2.83V, 3.0V, 3.03V and 3.3V as standard. Other output options can be made available, please contact your local NSC sales office.

### Key Specifications

- 2.5 to 6.0V input range
- 300mA guaranteed output

- 60dB PSRR at 1kHz
- $\leq 1\mu\text{A}$  quiescent current when shut down
- Fast Turn-On time: 120  $\mu\text{s}$  (typ.) with  $C_{\text{BYPASS}} = 0.01\mu\text{F}$
- 132mV typ dropout with 300mA load
- 35 $\mu\text{V}_{\text{rms}}$  output noise over 10Hz to 100kHz
- $-40$  to  $+125^{\circ}\text{C}$  junction temperature range for operation
- 2.5V, 2.7V, 2.8V, 2.83V, 3.0V, 3.03V, and 3.3V outputs standard

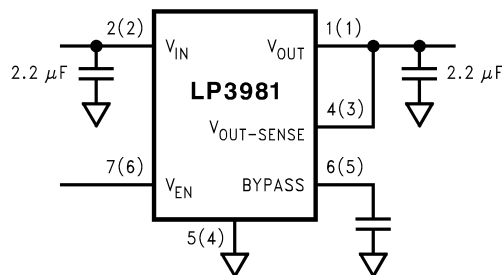
### Features

- Small, space saving MSOP-8
- Low Thermal Resistance in LLP-6 package gives excellent power capability
- Logic controlled enable
- Stable with ceramic and high quality tantalum capacitors
- Fast turn-on
- Thermal shutdown and short-circuit current limit

### Applications

- CDMA cellular handsets
- Wideband CDMA cellular handsets
- GSM cellular handsets
- Portable information appliances
- Tiny 3.3V  $\pm 5\%$  to 2.5V, 300mA converter

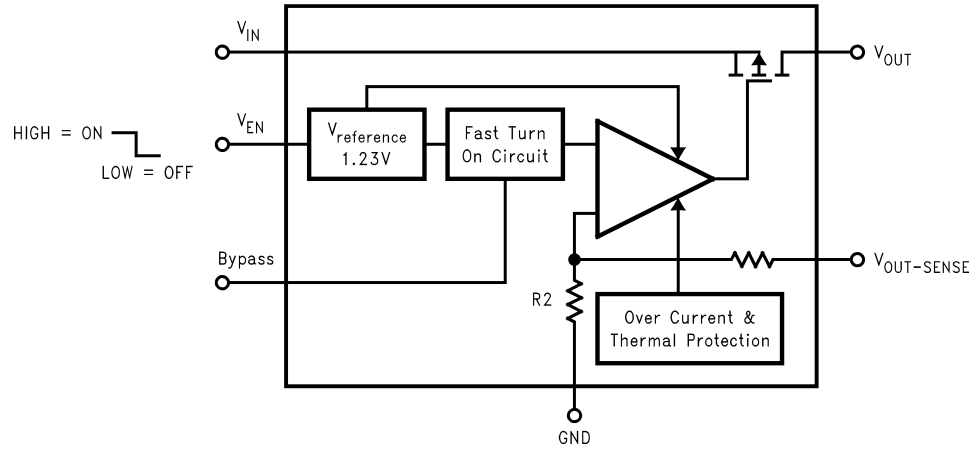
### Typical Application Circuit



20020302

Note: Pin Numbers in parenthesis indicate LLP-6 package.

## Block Diagram

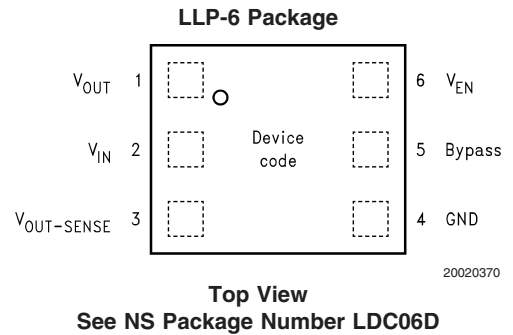
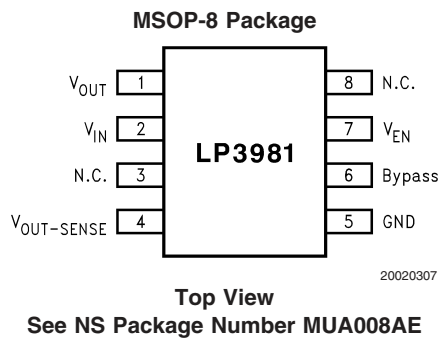


20020301

## Pin Descriptions

| Name                   | MSOP-8 | LLP-6 | Function   |
|------------------------|--------|-------|--|
| V <sub>EN</sub>        | 7      | 6     | Enable Input Logic, Enable High  |
| GND                    | 5      | 4     | Common Ground  |
| V <sub>OUT</sub>       | 1      | 1     | Output Voltage of the LDO  |
| V <sub>IN</sub>        | 2      | 2     | Input Voltage of the LDO   |
| Bypass                 | 6      | 5     | Optional bypass capacitor for noise reduction  |
| V <sub>OUT-SENSE</sub> | 4      | 3     | Output. Voltage Sense Pin. Should be connected to V <sub>OUT</sub> for proper operation. |
| N.C                    | 3, 8   |       |  |

## Connection Diagrams



## Ordering Information

### For LLP-6 Package

| Output Voltage (V) | Grade | LP3981 Supplied as 1000 Units, Tape and Reel | LP3981 Supplied as 4500 Units, Tape and Reel | Package Marking |
|--------------------|-------|--|--|-----------------|
| 2.5                | STD   | LP3981ILD-2.5                                | LP3981ILD-2.5                                | LO1UB           |
| 2.7                | STD   | LP3981ILD-2.7                                | LP3981ILD-2.7                                | LO1VB           |
| 2.8                | STD   | LP3981ILD-2.8                                | LP3981ILD-2.8                                | LO1ZB           |
| 2.83               | STD   | LP3981ILD-2.83                               | LP3981ILD-2.83                               | L01SB           |
| 3.0                | STD   | LP3981ILD-3.0                                | LP3981ILD-3.0                                | L017B           |
| 3.03               | STD   | LP3981ILD-3.03                               | LP3981ILD-3.03                               | LO1YB           |
| 3.3                | STD   | LP3981ILD -3.3                               | LP3981ILD-3.3                                | LO1XB           |

### For MSOP-8 Package

| Output Voltage (V) | Grade | LP3981 Supplied as 1000 Units, Tape and Reel | LP3981 Supplied as 3500 Units, Tape and Reel | Package Marking |
|--------------------|-------|--|--|-----------------|
| 2.5                | STD   | LP3981IMM-2.5                                | LP3981IMM-2.5                                | LFKB            |
| 2.7                | STD   | LP3981IMM-2.7                                | LP3981IMM-2.7                                | LFLB            |
| 2.8                | STD   | LP3981IMM-2.8                                | LP3981IMM-2.8                                | LFTB            |
| 2.83               | STD   | LP3981IMM-2.83                               | LP3981IMM-2.83                               | LDUB            |
| 3.0                | STD   | LP3981IMM-3.0                                | LP3981IMM-3.0                                | LF3B            |
| 3.03               | STD   | LP3981IMM-3.03                               | LP3981IMM-3.03                               | LFPB            |
| 3.3                | STD   | LP3981IMM-3.3                                | LP3981IMM-3.3                                | LFNB            |

\*Please contact factory regarding the availability of voltage options not listed here.

## Absolute Maximum Ratings

(Notes 1, 2)

If Military/Aerospace specified devices are required, please contact the National Semiconductor Sales Office/Distributors for availability and specifications.

|                            |                                      |
|----------------------------|--------------------------------------|
| $V_{IN}, V_{EN}$           | -0.3 to 6.5V                         |
| $V_{OUT}, V_{OUT-SENSE}$   | -0.3 to $V_{IN} + 0.3$ ,<br>Max 6.5V |
| Junction Temperature       | 150°C                                |
| Storage Temperature        | -65°C to +150°C                      |
| Lead Temp.                 |                                      |
| Pad Temp.                  |                                      |
| Power Dissipation (Note 3) |                                      |
| $\theta_{JA}$ (MSOP-8)     | 210°C/W                              |
| $\theta_{JA}$ (LLP-6)      | 50°C/W                               |

Maximum Power Dissipation at 25°C

|        |       |
|--------|-------|
| MSOP-8 | 595mW |
| LLP-6  | 2.5W  |

ESD Rating(Note 4)

|                  |      |
|------------------|------|
| Human Body Model | 2kV  |
| Machine Model    | 200V |

## Operating Ratings

|                                    |                 |
|------------------------------------|-----------------|
| $V_{IN}$                           | 2.7 to 6V       |
| $V_{EN}$                           | 0 to $V_{IN}$   |
| Junction Temperature               | -40°C to +125°C |
| Maximum Power Dissipation (Note 5) |                 |
| MSOP-8                             | 476mW           |
| LLP-6                              | 2.0W            |

## Electrical Characteristics

Unless otherwise specified:  $V_{EN} = 1.2V$ ,  $V_{IN} = V_{OUT} + 0.5V$ ,  $C_{IN} = 2.2 \mu F$ ,  $C_{BP} = 0.033 \mu F$ ,  $I_{OUT} = 1mA$ ,  $C_{OUT} = 2.2 \mu F$ . Typical values and limits appearing in standard typeface are for  $T_J = 25^\circ C$ . Limits appearing in **boldface type** apply over the entire junction temperature range for operation, -40°C to +125°C. (Notes 6, 7)

| Symbol           | Parameter                              | Conditions   | Typ    | Limit       |              | Units               |
|------------------|--|--|--------|-------------|--------------|---------------------|
|                  |  |  |        | Min         | Max          |                     |
| $\Delta V_{OUT}$ | Output Voltage Tolerance               |  |        | -2          | 2            | % of $V_{OUT(nom)}$ |
|                  | Line Regulation Error                  | $V_{IN} = V_{OUT} + 0.5V$ to 6.0V, $T_A < +85^\circ C$                           | 0.005  | -0.1        | 0.1          | %/V                 |
|                  |  | $V_{IN} = V_{OUT} + 0.5V$ to 6.0V, $T_J \leq 125^\circ C$                        |        | <b>-0.2</b> | <b>0.2</b>   | %/V                 |
|                  | Load Regulation Error (Note 8)         | $I_{OUT} = 1 mA$ to 300 mA   | 0.0003 |             | <b>0.005</b> | %/mA                |
| PSRR             | Power Supply Rejection Ratio (Note 10) | $V_{IN} = V_{OUT(nom)} + 1V$ ,<br>$f = 1 kHz$ ,<br>$I_{OUT} = 50 mA$ (Figure 2)  | 50     |             |              | dB                  |
|                  |  | $V_{IN} = V_{OUT(nom)} + 1V$ ,<br>$f = 10 kHz$ ,<br>$I_{OUT} = 50 mA$ (Figure 2) | 55     |             |              |                     |
| $I_Q$            | Quiescent Current                      | $V_{EN} = 1.2V$ , $I_{OUT} = 1 mA$   | 70     |             | <b>120</b>   | $\mu A$             |
|                  |  | $V_{EN} = 1.2V$ , $I_{OUT} = 1$ to 300 mA,<br>$V_{OUT} = 2.5V$ (Note 12)         | 170    |             | <b>210</b>   |                     |
|                  |  | $V_{EN} = 0.4V$  | 0.003  |             | <b>1.5</b>   |                     |
|                  | Dropout Voltage (Note 9)               | $I_{OUT} = 1 mA$   | 0.5    |             | <b>5</b>     | mV                  |
|                  |  | $I_{OUT} = 200 mA$   | 88     |             | <b>133</b>   |                     |
|                  |  | $I_{OUT} = 300 mA$   | 132    |             | <b>200</b>   |                     |
| $I_{SC}$         | Short Circuit Current Limit            | Output Grounded (Steady State)   | 600    |             |              | mA                  |
| $e_n$            | Output Noise Voltage                   | BW = 10 Hz to 100 kHz,<br>$C_{BP} = 0.033\mu F$                                  | 35     |             |              | $\mu V_{rms}$       |
| TSD              | Thermal Shutdown Temperature           |  | 160    |             |              | °C                  |
|                  | Thermal Shutdown Hysteresis            |  | 20     |             |              | °C                  |
| $I_{OUT(PK)}$    | Peak Output Current                    | $V_{OUT} \geq V_{OUT(nom)} - 5\%$  | 455    | 300         |              |                     |
| $I_{EN}$         | Maximum Input Current at $V_{EN}$      | $V_{EN} = 0$ and $V_{IN}$  | 0.001  |             |              | $\mu A$             |
| $V_{IL}$         | Logic Low Input threshold              | $V_{IN} = 2.7$ to 6.0V   |        |             | <b>0.4</b>   | V                   |
| $V_{IH}$         | Logic High Input threshold             | $V_{IN} = 2.7$ to 6.0V   |        | <b>1.4</b>  |              | V                   |

## Electrical Characteristics (Continued)

Unless otherwise specified:  $V_{EN} = 1.2V$ ,  $V_{IN} = V_{OUT} + 0.5V$ ,  $C_{IN} = 2.2 \mu F$ ,  $C_{BP} = 0.033 \mu F$ ,  $I_{OUT} = 1mA$ ,  $C_{OUT} = 2.2 \mu F$ . Typical values and limits appearing in standard typeface are for  $T_J = 25^\circ C$ . Limits appearing in **boldface type** apply over the entire junction temperature range for operation,  $-40^\circ C$  to  $+125^\circ C$ . (Notes 6, 7)

| Symbol   | Parameter                           | Conditions                 | Typ | Limit |            | Units   |
|----------|-------------------------------------|----------------------------|-----|-------|------------|---------|
|          |                                     |                            |     | Min   | Max        |         |
| $T_{ON}$ | Turn-On Time<br>(Note 10) (Note 11) | $C_{BYPASS} = 0.033 \mu F$ | 240 |       | <b>350</b> | $\mu s$ |

**Note 1:** Absolute Maximum Ratings are limits beyond which damage to the device may occur. Operating Ratings are conditions under which operation of the device is guaranteed. Operating Ratings do not imply guaranteed performance limits. For guaranteed performance limits and associated test conditions, see the Electrical Characteristics tables.

**Note 2:** All voltages are with respect to the potential at the GND pin.

**Note 3:** The figures given for Absolute Maximum Power dissipation for the device are calculated using the following equations:

$$P_D = \frac{(T_{J(MAX)} - T_A)}{\theta_{JA}}$$

where  $T_{J(MAX)}$  is the maximum junction temperature,  $T_A$  is the ambient temperature, and  $\theta_{JA}$  is the junction-to-ambient thermal resistance.

E.g. for the LLP package  $\theta_{JA} = 50^\circ C/W$ ,  $T_{J(MAX)} = 150^\circ C$  and using  $T_A = 25^\circ C$  the maximum power dissipation is found to be 2.5W. The derating factor  $(-1/\theta_{JA}) = -20mW/^\circ C$ , thus below  $25^\circ C$  the power dissipation figure can be increased by 20W per degree, and similarly decreased by this factor for temperatures above  $25^\circ C$

**Note 4:** The human body model is 100pF discharged through 1.5kΩ resistor into each pin. The machine model is a 200 pF capacitor discharged directly into each pin.

**Note 5:** As for the Maximum Power dissipation, the maximum power in operation is dependant on the ambient temperature. This can be calculated in the same way using  $T_J = 125^\circ C$ , giving 2W as the maximum power dissipation for the LLP package in operation. The same derating factor applies.

**Note 6:** All limits are guaranteed. All electrical characteristics having room-temperature limits are tested during production with  $T_J = 25^\circ C$  or correlated using Statistical Quality Control (SQC) methods. All hot and cold limits are guaranteed by correlating the electrical characteristics to process and temperature variations and applying statistical process control.

**Note 7:** The target output voltage, which is labeled  $V_{OUT(NOM)}$ , is the desired voltage option.

**Note 8:** An increase in the load current results in a slight decrease in the output voltage and vice versa.

**Note 9:** Dropout voltage is the input-to-output voltage difference at which the output voltage is 100mV below its nominal value. This specification does not apply for input voltages below 2.5V.

**Note 10:** Guaranteed by design.

**Note 11:** Turn-on time is time measured between the enable input just exceeding  $V_{IH}$  and the output voltage just reaching 95% of its nominal value.

**Note 12:** For  $V_{OUT} > 2.5C$ , Increase  $I_{Q(MAX)}$  by  $2.5\mu A$  for every 0.1V increase in  $V_{OUT(NOM)}$ .

i.e.  $I_{Q(MAX)} = 210 + ((V_{OUT(NOM)} - 2.5) * 25)\mu A$

## Output Capacitor, Recommended Specification

| Symbol    | Parameter        | Conditions  | Typ | Limit |     | Units   |
|-----------|------------------|-------------|-----|-------|-----|---------|
|           |                  |             |     | Min   | Max |         |
| $C_{OUT}$ | Output Capacitor | Capacitance |     | 2.2   | 22  | $\mu F$ |
|           |                  | ESR         |     | 5     | 500 | mΩ      |

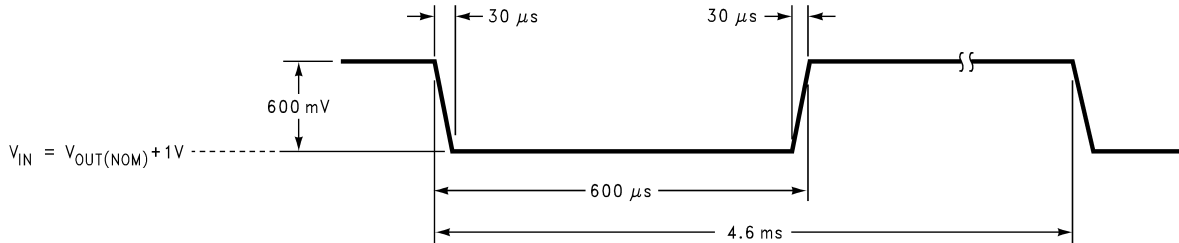


FIGURE 1. Line Transient Response Input Perturbation

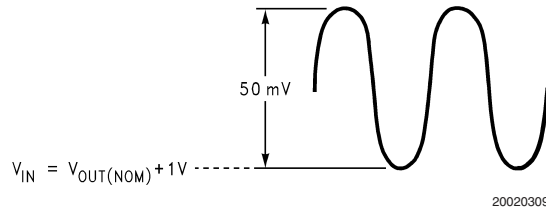
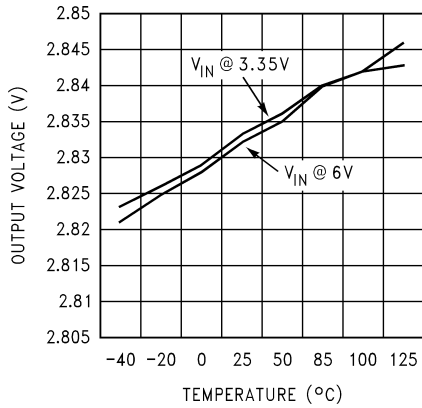


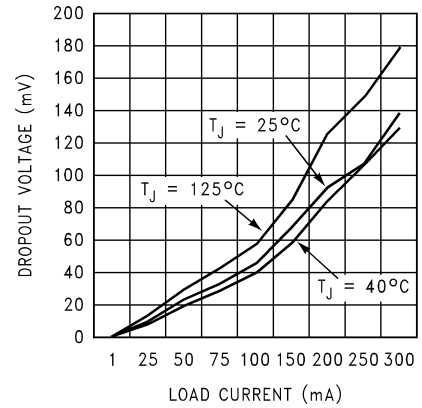
FIGURE 2. PSRR Input Perturbation

**Typical Performance Characteristics** Unless otherwise specified,  $C_{IN} = C_{OUT} = 2.2 \mu F$  Ceramic,  $C_{BP} = 0.033 \mu F$ ,  $V_{IN} = V_{OUT} + 0.5V$ ,  $T_A = 25^\circ C$ , Enable pin is tied to  $V_{IN}$ .

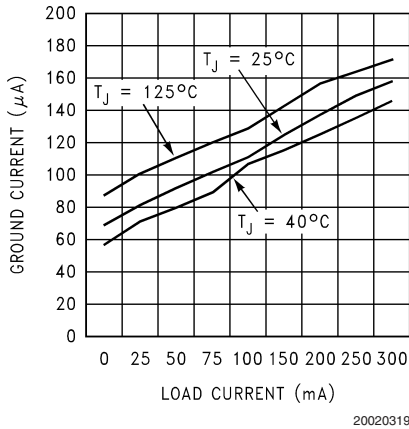
Output Voltage vs. Temperature ( $V_{OUT} = 2.83V$ )



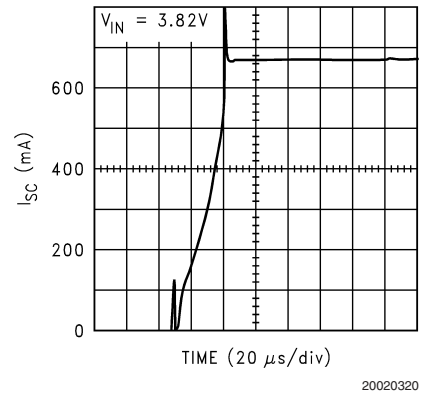
Dropout Voltage vs. Temperature ( $V_{OUT} = 2.85V$ )



Ground Current vs. Load Current ( $V_{OUT} = 2.85V$ )

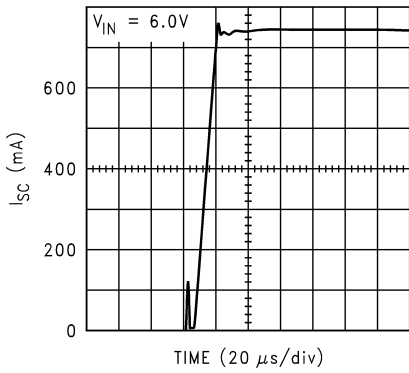


Output Short Circuit Current



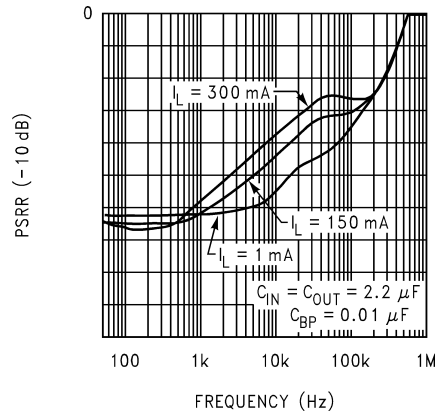
**Typical Performance Characteristics** Unless otherwise specified,  $C_{IN} = C_{OUT} = 2.2 \mu\text{F}$  Ceramic,  $C_{BP} = 0.033 \mu\text{F}$ ,  $V_{IN} = V_{OUT} + 0.5\text{V}$ ,  $T_A = 25^\circ\text{C}$ , Enable pin is tied to  $V_{IN}$ . (Continued)

**Output Short Circuit Current**



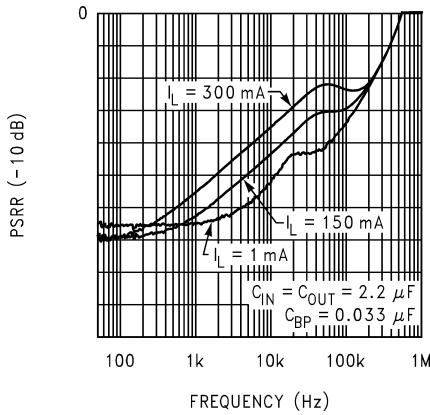
20020332

**Ripple Rejection ( $V_{IN} = V_{OUT} + 1\text{V}$ )**



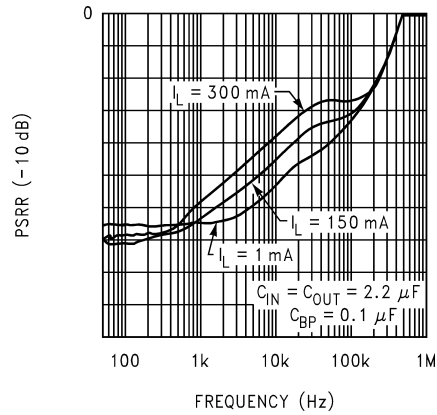
20020321

**Ripple Rejection ( $V_{IN} = V_{OUT} + 1\text{V}$ )**



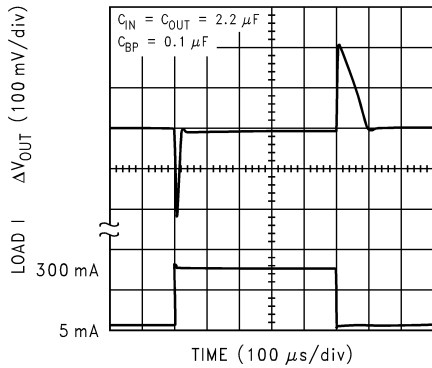
20020322

**Ripple Rejection ( $V_{IN} = V_{OUT} + 1\text{V}$ )**



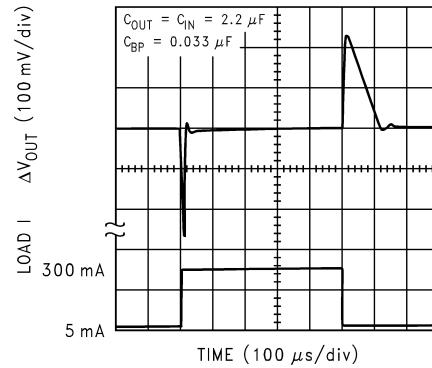
20020323

**Load Transient Response ( $V_{IN} = 3.5\text{V}$ )**



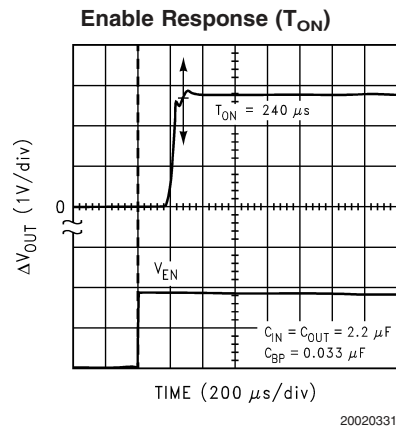
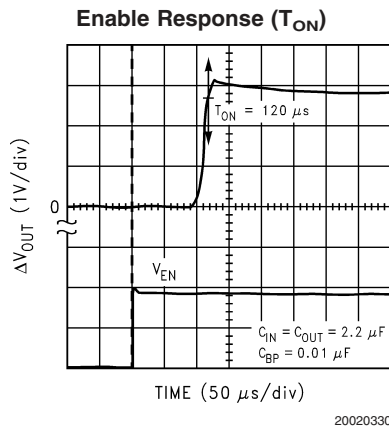
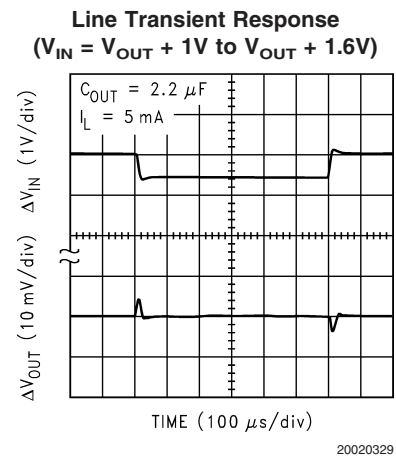
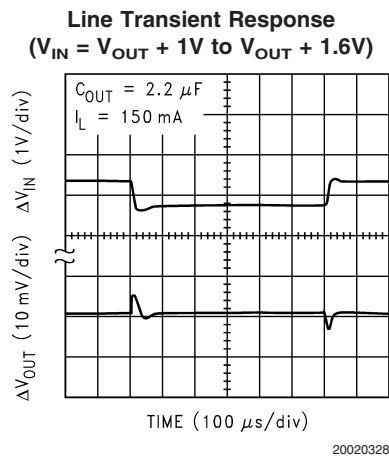
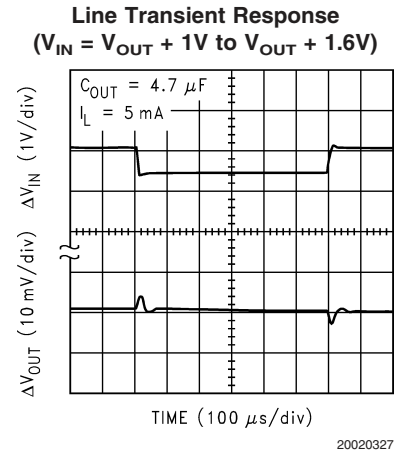
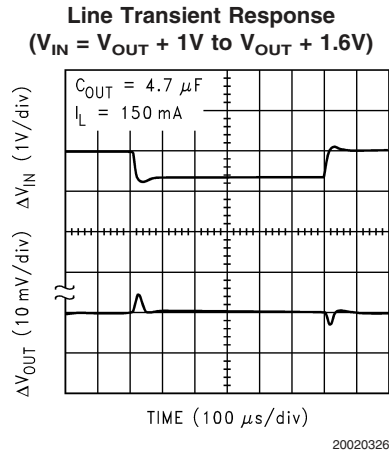
20020324

**Load Transient Response ( $V_{IN} = 3.5\text{V}$ )**



20020325

**Typical Performance Characteristics** Unless otherwise specified,  $C_{IN} = C_{OUT} = 2.2 \mu F$  Ceramic,  $C_{BP} = 0.033 \mu F$ ,  $V_{IN} = V_{OUT} + 0.5V$ ,  $T_A = 25^\circ C$ , Enable pin is tied to  $V_{IN}$ . (Continued)



**Application Hints**

**POWER DISSIPATION AND DEVICE OPERATION**

The permissible power dissipation for any package is a measure of the capability of the device to pass heat from the power source, the junctions of the IC, to the ultimate heat sink, the ambient environment. Thus, the power dissipation is dependant on the ambient temperature and the thermal resistance across the various interfaces between the die and ambient air.

As stated in notes 3 and 5 in the electrical specifications sections, the allowable power dissipation for the device in a given package can be calculated using the equation:

$$P_D = \frac{(T_{J(MAX)} - T_A)}{\theta_{JA}}$$

With a  $\theta_{JA} = 50^\circ C/W$ , the device in the LLP package returns a value of 2.0W with a maximum junction temperature of



## Application Hints (Continued)

125°C and an ambient temperature of 25°C. The device in a MSOP package returns a figure of 0.476W, ( $\theta_{JA} = 210^{\circ}\text{C}/\text{W}$ ).

The actual power dissipation across the device can be represented by the following equation:

$$P_D = (V_{IN} - V_{OUT}) \times I_{OUT}$$

This establishes the relationship between the power dissipation allowed due to thermal considerations, the voltage drop across the device, and the continuous current capability of the device. The device can deliver 300mA but care must be taken when choosing the continuous current output for the device under the operating load conditions.

### EXTERNAL CAPACITORS

Like any low-dropout regulator, the LP3981 requires external capacitors for regulator stability. The LP3981 is specifically designed for portable applications requiring minimum board space and smallest components. These capacitors must be correctly selected for good performance.

### INPUT CAPACITOR

An input capacitance of  $\approx 2.2\mu\text{F}$  is required between the LP3981 input pin and ground (the amount of the capacitance may be increased without limit).

This capacitor must be located a distance of not more than 1cm from the input pin and returned to a clean analog ground. Any good quality ceramic, tantalum, or film capacitor may be used at the input.

**Important:** Tantalum capacitors can suffer catastrophic failures due to surge current when connected to a low-impedance source of power (like a battery or a very large capacitor). If a tantalum capacitor is used at the input, it must be guaranteed by the manufacturer to have a surge current rating sufficient for the application.

There are no requirements for the ESR on the input capacitor, but tolerance and temperature coefficient must be considered when selecting the capacitor to ensure the capacitance will be  $\approx 2.2\mu\text{F}$  over the entire operating temperature range.

### OUTPUT CAPACITOR

The LP3981 is designed specifically to work with very small ceramic output capacitors. A ceramic capacitor (dielectric types Z5U, Y5V or X7R) in 2.2 to 22  $\mu\text{F}$  range with 5m $\Omega$  to 500m $\Omega$  ESR range is suitable in the LP3981 application circuit.

It may also be possible to use tantalum or film capacitors at the output, but these are not as attractive for reasons of size and cost (see next section Capacitor Characteristics).

The output capacitor must meet the requirement for minimum amount of capacitance and also have an ESR (Equivalent Series Resistance) value which is within a stable range (5 m $\Omega$  to 500 m $\Omega$ ).

### NO-LOAD STABILITY

The LP3981 will remain stable and in regulation with no external load. This is specially important in CMOS RAM keep-alive applications.

### NOISE BYPASS CAPACITOR

Connecting a 0.033 $\mu\text{F}$  capacitor between the  $C_{BP}$  pin and ground significantly reduces noise on the regulator output. This cap is connected directly to a high impedance node in the bad gap reference circuit. Any significant loading on this node will cause a change on the regulated output voltage. For this reason, DC leakage current through this pin must be kept as low as possible for best output voltage accuracy.

The types of capacitors best suited for the noise bypass capacitor are ceramic and film. High-quality ceramic capacitors with either NPO or COG dielectric typically have very low leakage. Polypropylene and polycarbonate film capacitors are available in small surface-mount packages and typically have extremely low leakage current.

Unlike many other LDO's, addition of a noise reduction capacitor does not effect the transient response of the device.

### CAPACITOR CHARACTERISTICS

The LP3981 is designed to work with ceramic capacitors on the output to take advantage of the benefits they offer: for capacitance values in the range of 1 $\mu\text{F}$  to 4.7 $\mu\text{F}$  range, ceramic capacitors are the smallest, least expensive and have the lowest ESR values (which makes them best for eliminating high frequency noise). The ESR of a typical 1 $\mu\text{F}$  ceramic capacitor is in the range of 20 m $\Omega$  to 40 m $\Omega$ , which easily meets the ESR requirement for stability by the LP3981.

The ceramic capacitor's capacitance can vary with temperature. Most large value ceramic capacitors ( $\approx 2.2\mu\text{F}$ ) are manufactured with Z5U or Y5V temperature characteristics, which results in the capacitance dropping by more than 50% as the temperature goes from 25°C to 85°C.

A better choice for temperature coefficient in a ceramic capacitor is X7R, which holds the capacitance within  $\pm 15\%$ .

Tantalum capacitors are less desirable than ceramic for use as output capacitors because they are more expensive when comparing equivalent capacitance and voltage ratings in the 1 $\mu\text{F}$  to 4.7 $\mu\text{F}$  range.

Another important consideration is that tantalum capacitors have higher ESR values than equivalent size ceramics. This means that while it may be possible to find a tantalum capacitor with an ESR value within the stable range, it would have to be larger in capacitance (which means bigger and more costly) than a ceramic capacitor with the same ESR value. It should also be noted that the ESR of a typical tantalum will increase about 2:1 as the temperature goes from 25°C down to -40°C, so some guard band must be allowed.

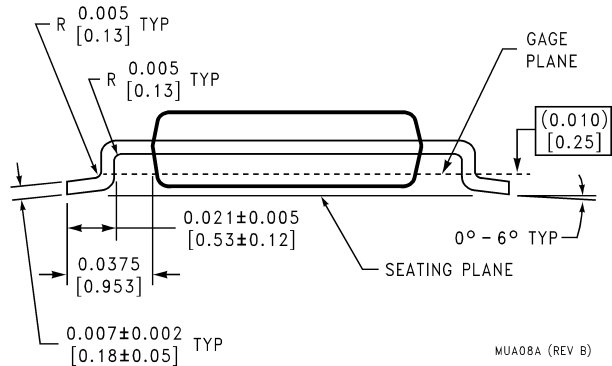
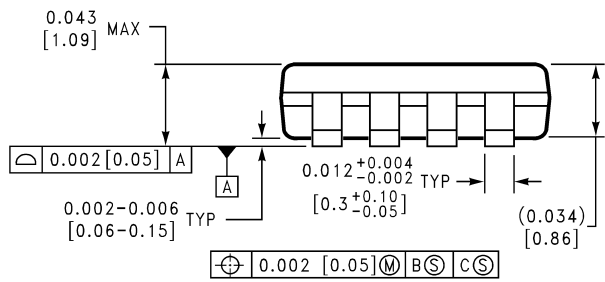
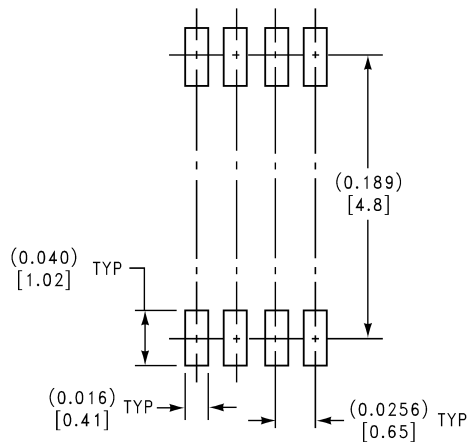
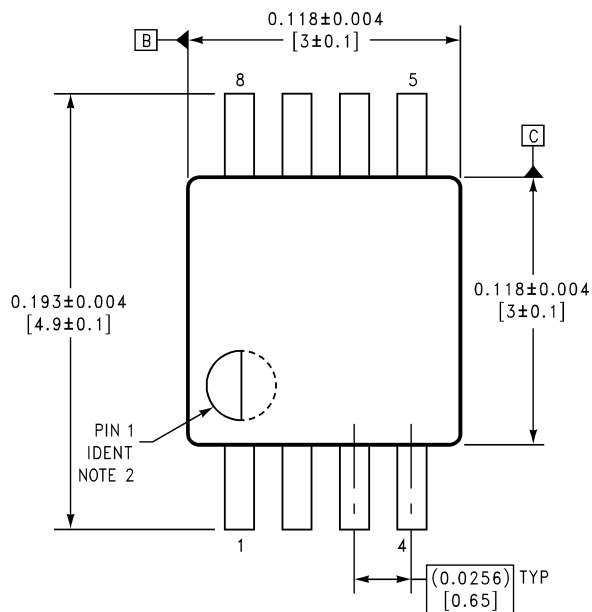
### ON/OFF INPUT OPERATION

The LP3981 is turned off by pulling the  $V_{EN}$  pin low, and turned on by pulling it high. If this feature is not used, the  $V_{EN}$  pin should be tied to  $V_{IN}$  to keep the regulator output on at all time. To assure proper operation, the signal source used to drive the  $V_{EN}$  input must be able to swing above and below the specified turn-on/off voltage thresholds listed in the Electrical Characteristics section under  $V_{IL}$  and  $V_{IH}$ .

### FAST ON-TIME

The LP3981 utilizes a speed up circuitry to ramp up the internal  $V_{REF}$  voltage to its final value to achieve a fast output turn on time.

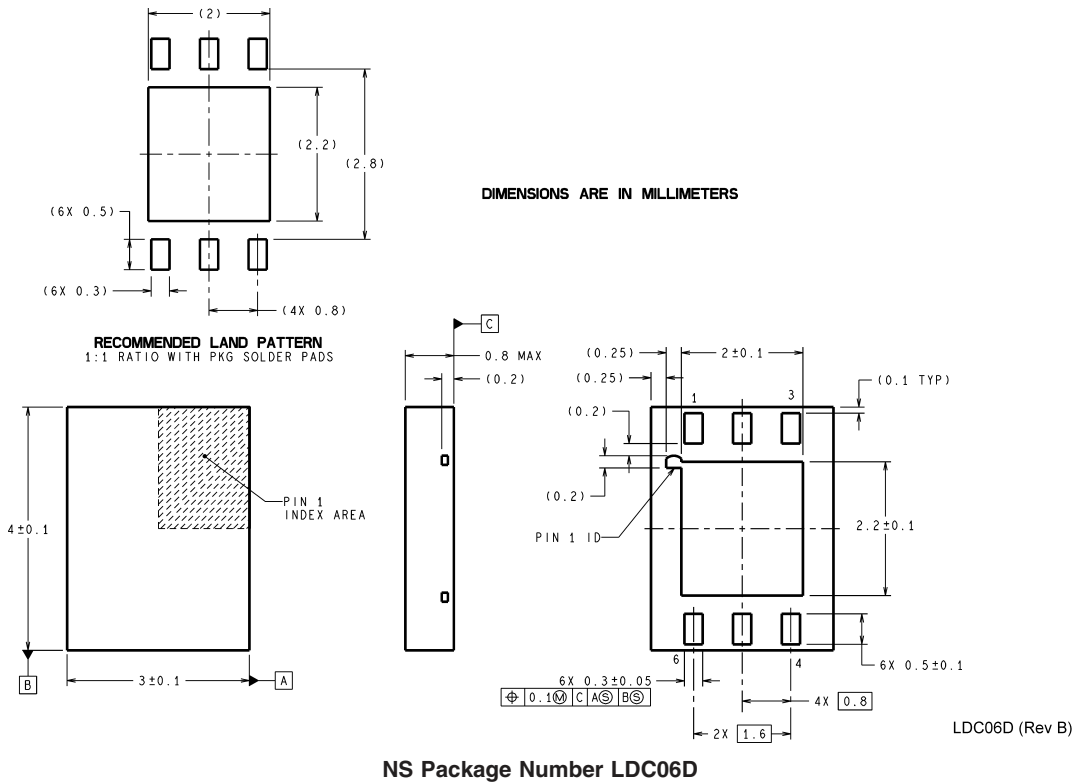
# Physical Dimensions inches (millimeters) unless otherwise noted



NS Package Number MUA008AE

MUA08A (REV B)

**Physical Dimensions** inches (millimeters) unless otherwise noted (Continued)



**LIFE SUPPORT POLICY**

NATIONAL'S PRODUCTS ARE NOT AUTHORIZED FOR USE AS CRITICAL COMPONENTS IN LIFE SUPPORT DEVICES OR SYSTEMS WITHOUT THE EXPRESS WRITTEN APPROVAL OF THE PRESIDENT AND GENERAL COUNSEL OF NATIONAL SEMICONDUCTOR CORPORATION. As used herein:

1. Life support devices or systems are devices or systems which, (a) are intended for surgical implant into the body, or (b) support or sustain life, and whose failure to perform when properly used in accordance with instructions for use provided in the labeling, can be reasonably expected to result in a significant injury to the user.
2. A critical component is any component of a life support device or system whose failure to perform can be reasonably expected to cause the failure of the life support device or system, or to affect its safety or effectiveness.



**National Semiconductor**  
Americas Customer Support Center  
Email: new.feedback@nsc.com  
Tel: 1-800-272-9959

www.national.com

**National Semiconductor**  
Europe Customer Support Center  
Fax: +49 (0) 180-530 85 86  
Email: europe.support@nsc.com  
Deutsch Tel: +49 (0) 69 9508 6208  
English Tel: +44 (0) 870 24 0 2171  
Français Tel: +33 (0) 1 41 91 8790

**National Semiconductor**  
Asia Pacific Customer Support Center  
Fax: +65-6250 4466  
Email: ap.support@nsc.com  
Tel: +65-6254 4466

**National Semiconductor**  
Japan Customer Support Center  
Fax: 81-3-5639-7507  
Email: jpn.feedback@nsc.com  
Tel: 81-3-5639-7560